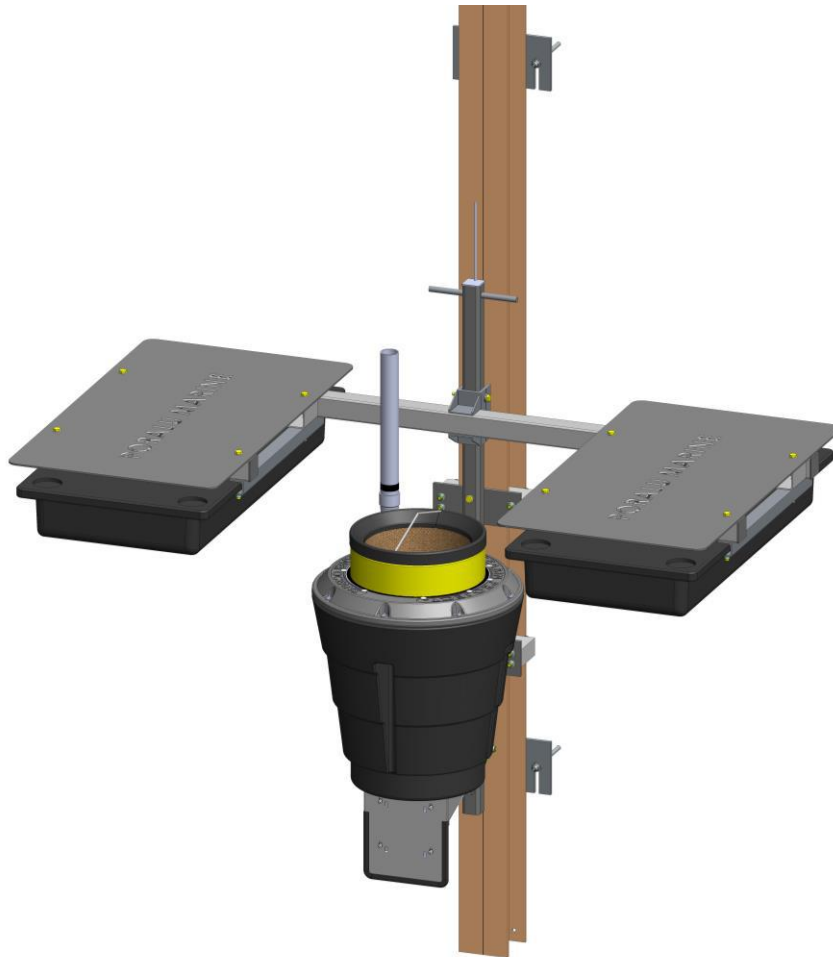


SEABIN FIXED QUAY ACCESSORY



YOUR NEEDS

> Position your Seabin V5 Hybrid on a fixed quay or a fixed pontoon

> Adjust to the height of your quay or pontoon

OUR SOLUTION

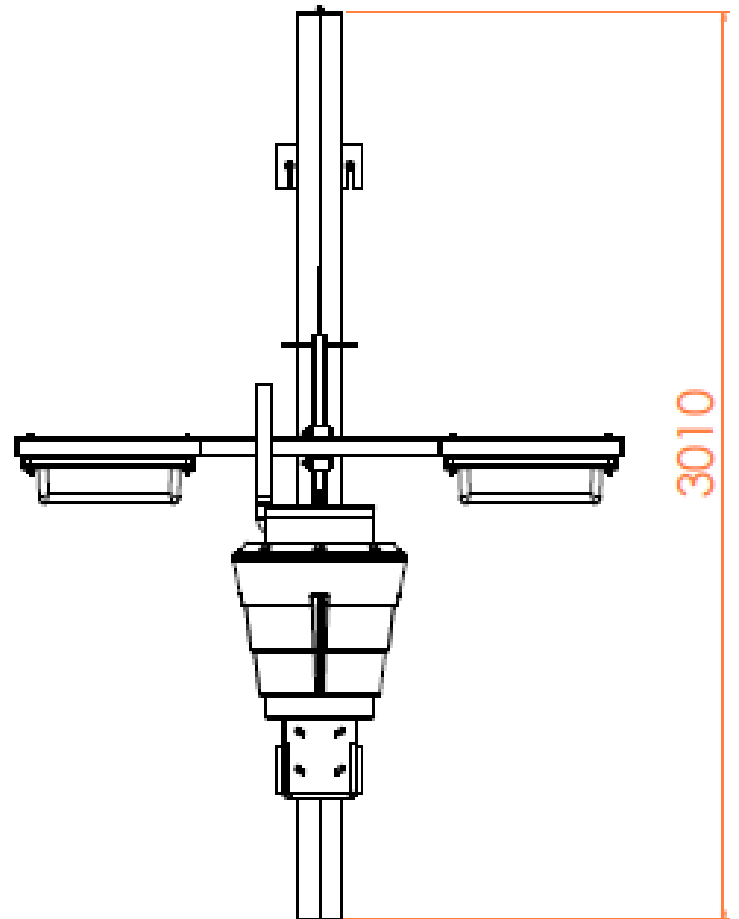
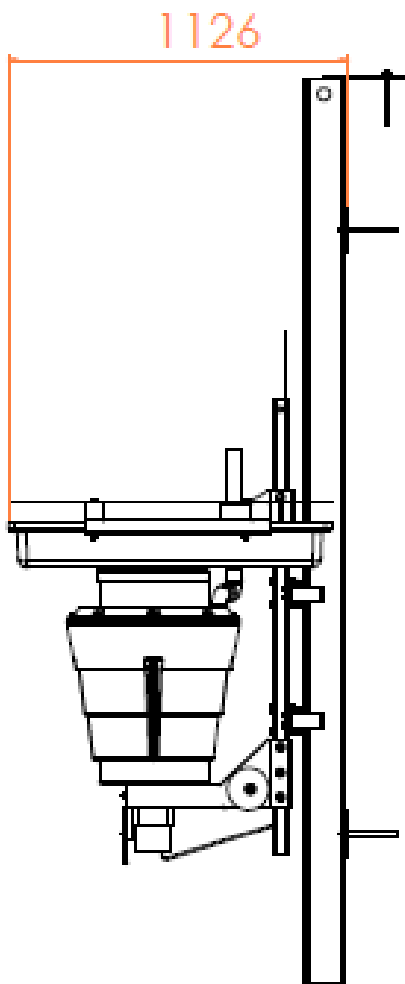
> A structure on which to position your Seabin V5 Hybrid unit

> packaged together with the Seabin V5 Hybrid Unit

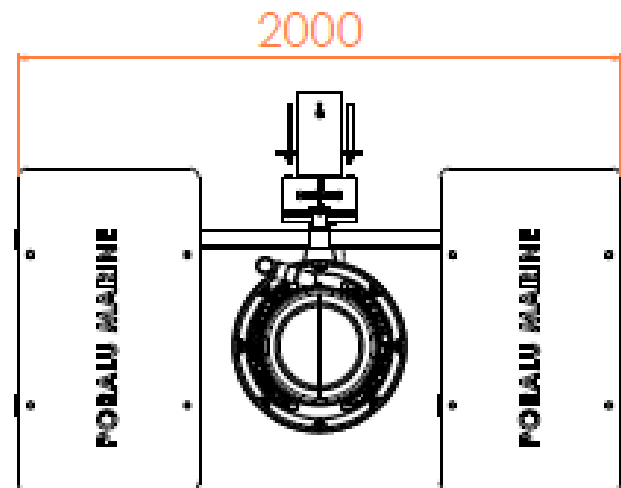
PRICE

5000 € Package*
excl. VAT

**Seabin V5 hybrid & fixing accessory*

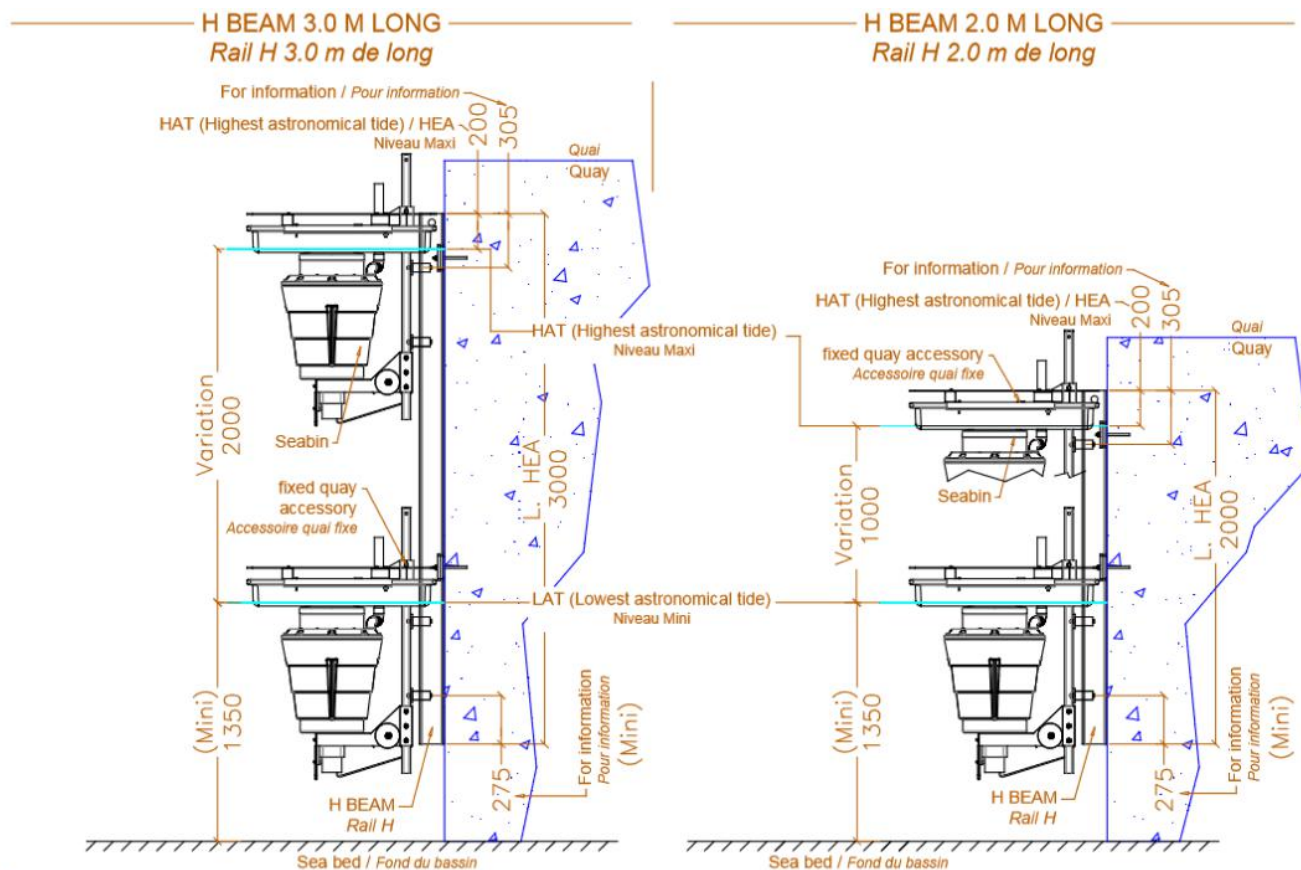


- › Standard accessory strictly for fixed quays or pontoons . For any other specifics, please ask your distributor
- › Aluminium 3 meter H Beam 140mm
- › Chemical sealing
- › Corrosion Isolation
- › Lifting handle maintenance & dismantling
- › 3 meter aluminium H Beam extensions available for order
- › Customization with your logo engraved available for order

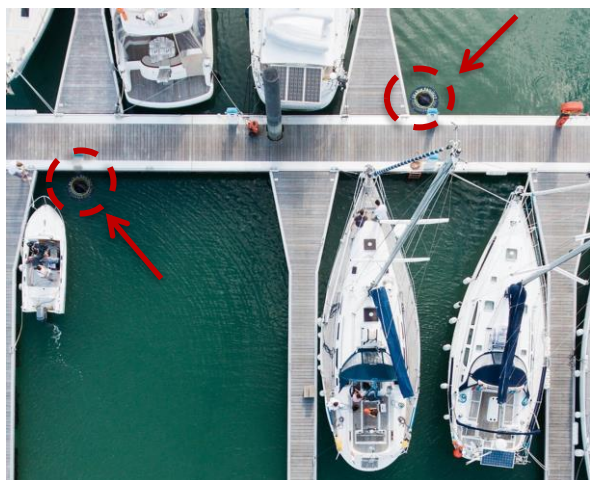


WATER VARIATIONS WITH RAIL H

LENGTH 2 METERS: VARIATION OF 1 METER
LENGTH 3 METERS: VARIATION OF 2 METERS



**Warning: variations in water must take into account surges, waves and their impact*



- ### REQUIRED SITE CONDITIONS
1. Your Seabin units will be installed on vertical fixed quay only
 2. There is staff to maintain Seabin on a daily basis
 3. Maximum distance to an electric energy supply point is 6 meters
 4. Voltage provided 110V/220V
 5. Freeboard range between 320mm minimum and 820mm maximum
 6. Maximum water current speed range equal or below 1,5 knots
 7. Maximum wave height in the marina equal or below 0,3 meters
 8. There is a minimum 1.2 meters of draught on the lowest astronomical tide